

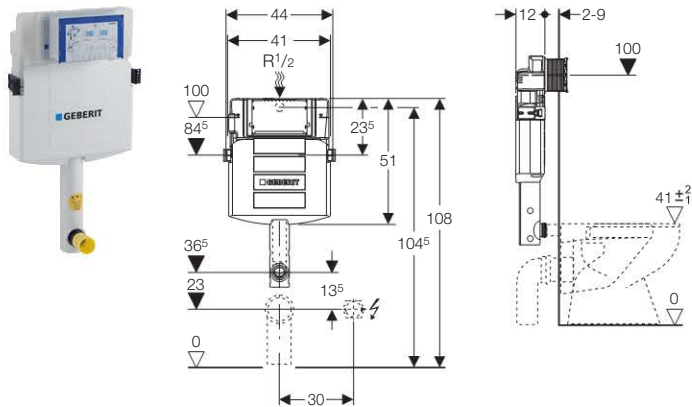
4. Geberit Concealed Cisterns

4.1	Sigma concealed cisterns	62
4.2	Omega concealed cisterns	63
4.3	Delta concealed cisterns	64
4.4	Flush pipes	65
4.5	Accessories	65



4.1 Sigma concealed cisterns

Geberit Sigma concealed cistern 12 cm, 6 / 3 litres



Application purposes

- For masonry walls
- For installation in part- or room-height prewall installations
- For installation in room-height installation walls
- For floor-standing and wall-hung WCs
- For single flush, dual flush or stop-and-go flush

Characteristics

- Concealed cistern with front actuation, fully insulated against condensation
- Immediate post flush possible with factory setting
- Flush bend fitted
- Tool-free installation and maintenance work on concealed cistern
- Water supply connection, rear or top centre
- Protection box for service opening can be cut to length

Technical data

Flow pressure	0.1-10 bar
Flush volume, factory setting	6 and 3 l
Flush volume large, adjustment range	4.5 / 6 / 7.5 l
Flush volume small, adjustment range	3-4 l

Scope of delivery

- Water supply connection R 1/2, compatible with MeplaFix, with integrated angle stop valve and hand wheel
- Protection box for service opening
- Flush bend with recess shells
- Protection plug
- 2 slotted flat irons
- 2 fixing brackets
- Fastening material

Art. no.

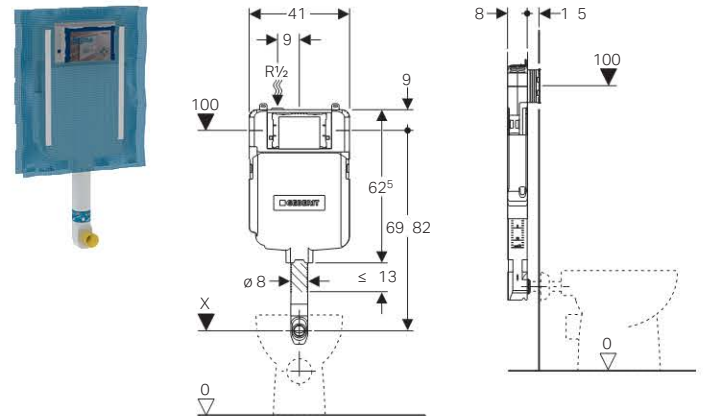
109.300.00.5



- Actuator plate has to be ordered separately

New

Geberit Sigma concealed cistern 8 cm, 6 / 3 litres



Application purposes

- For masonry walls
- For installation in part- or room-height prewall installations
- For installation in room-height installation walls
- For floor-standing WCs
- For single flush, dual flush or stop-and-go flush

Characteristics

- Series 2016
- Concealed cistern with front actuation, fully insulated against condensation
- Direct plastering netting, pre-mounted
- Immediate post flush possible with factory setting
- Flush bend fitted
- Flush bend adjustable 2 cm upwards and 1 cm downwards
- Tool-free installation and maintenance work on concealed cistern
- Water supply connection at the top, offset to left side
- Protection box for service opening can be cut to length, suitable for surface-even actuator plates

Technical data

Flow pressure	0.1-10 bar
Flush volume, factory setting	6 and 3 l
Flush volume large, adjustment range	4.5 / 6 / 7.5 l
Flush volume small, adjustment range	3-4 l

Scope of delivery

- Water supply connection R 1/2, compatible with MeplaFix, with integrated angle stop valve and hand wheel
- Protection box for service opening
- Flush bend with recess shells
- Flush bend extension, \varnothing 45 mm
- Protection plug
- 2 slotted flat irons
- Fastening material

Art. no.

109.791.00.1

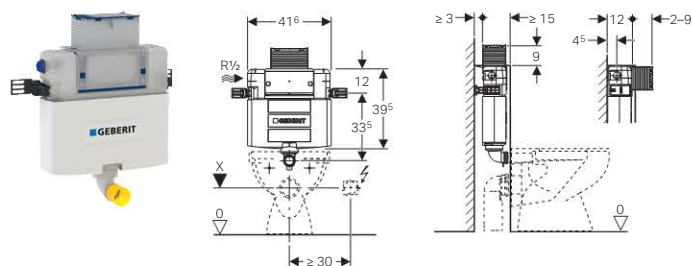
Available as of April 2016



- Actuator plate has to be ordered separately

4.2 Omega concealed cisterns

Geberit Omega concealed cistern 12 cm, 6 / 3 litres, installation height 82 cm



Application purposes

- For masonry walls
- For installation in part-height prewall installations
- For floor-standing and wall-hung WCs
- For dual flush

Characteristics

- Adjustable in depth
- Concealed cistern with top or front actuation, fully insulated against condensation
- Immediate post flush possible with factory setting
- Welded flush bend
- Tool-free installation and maintenance work on concealed cistern
- Water supply connection on the left or rear left
- Protection box for service opening can be cut to length

Technical data

Flow pressure	0.1-10 bar
Flush volume, factory setting	6 and 3 l
Flush volume large, adjustment range	4.5 / 6 / 7.5 l
Flush volume small, adjustment range	3-4 l

Scope of delivery

- Water supply connection R 1/2, compatible with MeplaFix, with integrated angle stop valve and hand wheel
- Protection box for service opening
- Flush bend extension, \varnothing 45 mm
- Protection plug
- 2 fixing brackets
- Fastening material

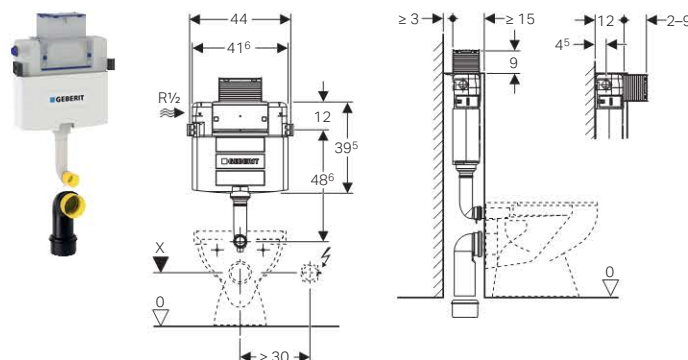
Art. no.

109.043.00.1



- Actuator plate has to be ordered separately

Geberit Omega concealed cistern 12 cm, 6 / 3 litres, installation height 98 cm



Application purposes

- For masonry walls
- For installation in part-height prewall installations
- For floor-standing and wall-hung WCs
- For dual flush

Characteristics

- Concealed cistern with top or front actuation, fully insulated against condensation
- Immediate post flush possible with factory setting
- Welded flush bend
- Tool-free installation and maintenance work on concealed cistern
- Water supply connection on the left or rear left
- Protection box for service opening can be cut to length

Technical data

Flow pressure	0.1-10 bar
Flush volume, factory setting	6 and 3 l
Flush volume large, adjustment range	4.5 / 6 / 7.5 l
Flush volume small, adjustment range	3-4 l

Scope of delivery

- Water supply connection R 1/2, compatible with MeplaFix, with integrated angle stop valve and hand wheel
- Protection box for service opening
- Connection set for WC, \varnothing 90 mm
- Connection bend, \varnothing 90 / 110 mm
- 2 protection plugs
- 2 fixing brackets
- Fastening material

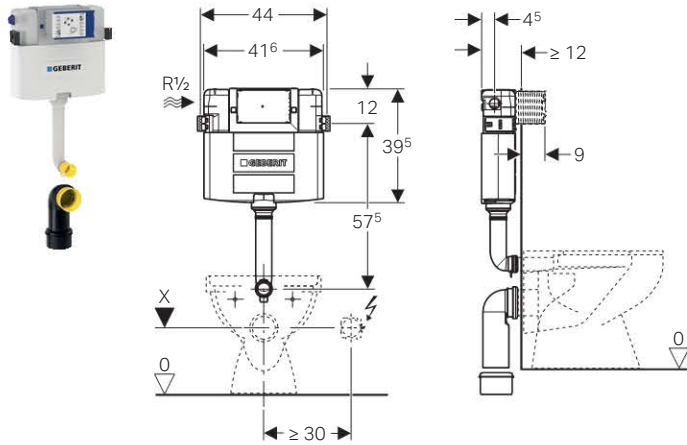
Art. no.

109.050.00.1



- Actuator plate has to be ordered separately

Geberit Omega concealed cistern 12 cm, 6 / 3 litres, installation height 106 cm



Application purposes

- For masonry walls
- For installation in part- or room-height prewall installations
- For installation in room-height installation walls
- For floor-standing and wall-hung WCs
- For dual flush

Characteristics

- Concealed cistern with front actuation, fully insulated against condensation
- Immediate post flush possible with factory setting
- Welded flush bend
- Tool-free installation and maintenance work on concealed cistern
- Water supply connection on the left or rear left
- Protection box for service opening can be cut to length

Technical data

Flow pressure	0.1-10 bar
Flush volume, factory setting	6 and 3 l
Flush volume large, adjustment range	4.5 / 6 / 7.5 l
Flush volume small, adjustment range	3-4 l

Scope of delivery

- Water supply connection R 1/2, compatible with MeplaFix, with integrated angle stop valve and hand wheel
- Protection box for service opening
- Connection set for WC, \varnothing 90 mm
- Connection bend, \varnothing 90 / 110 mm
- 2 protection plugs
- 2 fixing brackets
- Fastening material

Art. no.

109.060.00.1

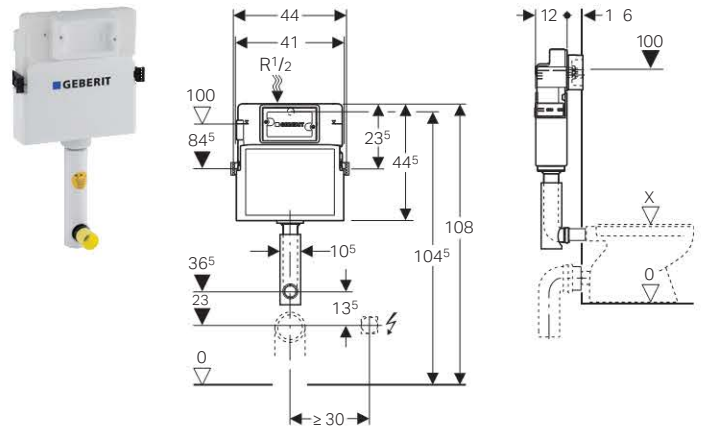


- Actuator plate has to be ordered separately

4.3 Delta concealed cisterns

New

Geberit Delta concealed cistern 12 cm, 6 / 3 litres, with front actuation



Application purposes

- For masonry walls
- For installation in part- or room-height prewall installations
- For installation in room-height installation walls
- For floor-standing and wall-hung WCs
- For single flush, dual flush or stop-and-go flush

Characteristics

- Concealed cistern with front actuation, fully insulated against condensation
- Immediate post flush possible with factory setting
- Flush bend fitted
- Water supply connection, rear or top centre
- Connection hose on angle stop valve can be attached without tools

Technical data

Flow pressure	0.1-10 bar
Flush volume, factory setting	6 and 3 l
Flush volume large, adjustment range	4.5 / 6 / 7.5 l
Flush volume small, adjustment range	3-4 l

Scope of delivery

- Angle stop valve R 1/2, compatible with MeplaFix, with adapter ring
- Protection box for service opening
- 2 distance bolts
- Flush bend with recess shells
- Protection plug
- 2 slotted flat irons
- 2 fixing brackets
- Fastening material

Art. no.

109.100.00.1

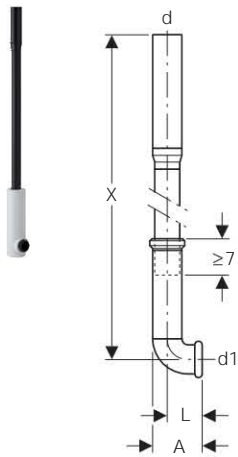
Available as of April 2016



- Actuator plate has to be ordered separately

4.4 Flush pipes

Geberit flush bend set 90°, telescopic



Application purposes

- For connecting concealed cisterns with a WC ceramic appliance

Characteristics

- Can be pulled out

Technical data

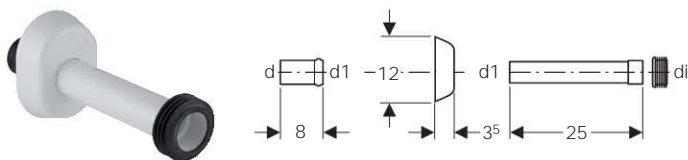
Material	PE-HD
----------	-------

Scope of delivery

- Flush pipe
- Recess shells
- Protection plug

Art. no.	d, \emptyset [mm]	d1, \emptyset [mm]	A [cm]	L [cm]	X [cm]
119.698.16.1	56	45	9.5	6.5	112

Geberit flush bend extension set with collar



Application purposes

- For height adjustment of flush pipe connections (2 cm upwards and 1 cm downwards)
- For connecting flush bends and WCs

Scope of delivery

- Sleeve made of EPDM
- Collar, oval
- Ring seal socket
- Flush pipe

Art. no.	Colour / Surface	d, \emptyset [mm]	d1, \emptyset [mm]	di, \emptyset [mm]
118.221.11.1	white alpine	45	40	44
118.221.21.1	bright chrome-plated	45	40	44

4.5 Accessories

New

Reinforced braided hose for Geberit Sigma concealed cistern 8 cm



Application purposes

- For Geberit Sigma concealed cisterns 8 cm, series 2016
- For connecting Geberit AquaClean

Characteristics

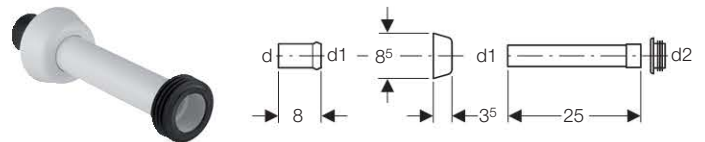
- Connection hose on angle stop valve can be attached without tools

Art. no.

243.173.00.1

Available as of April 2016

Geberit flush bend extension set with collar



Application purposes

- For connecting flush bends and WCs

Scope of delivery

- Ring seal socket
- Collar
- Flush pipe
- Sleeve made of EPDM, \emptyset 44 / 55 mm

Art. no.	Colour / Surface	d, \emptyset [mm]	d1, \emptyset [mm]	d2, \emptyset [mm]
118.026.11.1	white alpine	44	40	55
118.026.21.1	bright chrome-plated	44	40	55