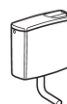


7. Geberit Exposed Cisterns

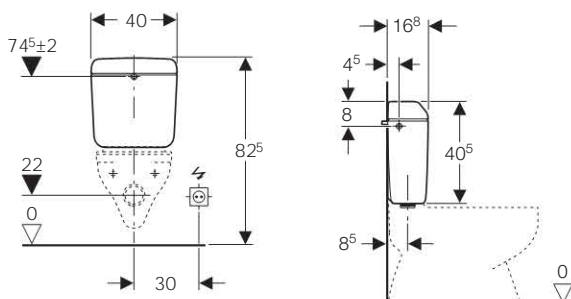
7.1	Exposed cisterns for WCs	128
7.1.1	Close-coupled	128
7.1.2	High-level	129
7.1.3	Low and half-high level	130
7.2	Flush pipes for exposed cisterns	133
7.3	Accessories	136
7.3.1	Connections	136
7.3.2	Angle valves	136
7.3.3	Sleeves	136
7.4	Geberit Cisterns for Low-Height Furniture	137
7.4.1	With pneumatic flush actuation	137



7.1 Exposed cisterns for WCs

7.1.1 Close-coupled

Geberit exposed cistern AP128, dual flush, water supply connection, rear centre, with cistern lid made of melamine



Characteristics

- Dual flush
- Close-coupled
- Cistern fully insulated against condensation
- Cistern lid, cigarette burn resistant
- Water supply connection, rear centre

Scope of delivery

- Angle stop valve, 1/2"
- Fastening material

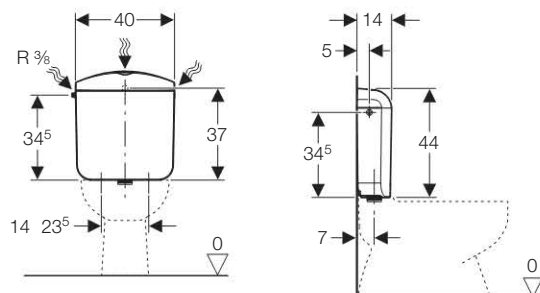
Art. no. Colour / Surface

128.300.11.1 white alpine

Technical data

Flush volume, factory setting	9 and 4 l
Flush volume large, adjustment range	6 / 9 l
Flush volume small, adjustment range	3 / 4 l

Geberit exposed cistern AP117, dual flush, water supply connection, left/right or rear centre



Characteristics

- Dual flush
- Close-coupled
- Low-noise
- Insulated against condensation
- Water supply connection, left/right or rear centre

Scope of delivery

- Wall-mounted holder
- Fastening material

Art. no. Colour / Surface

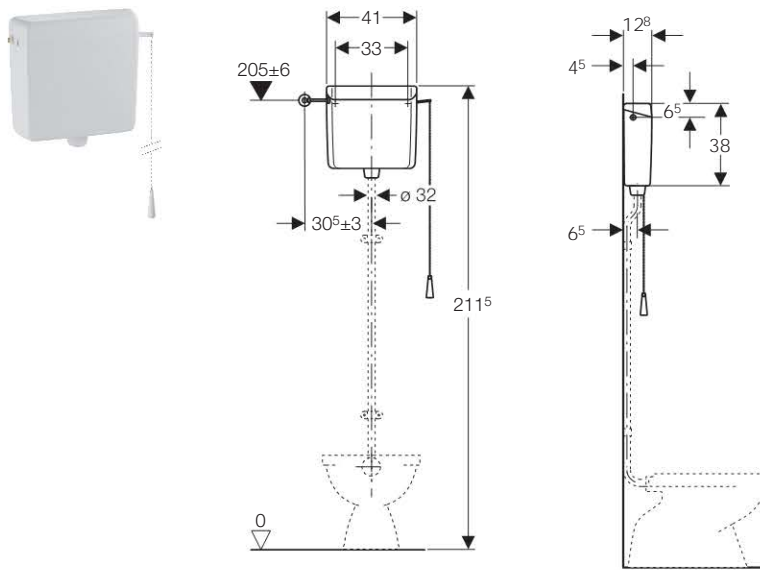
136.535.11.1 white alpine

Technical data

Flow pressure	0.5-10 bar
Flush volume, factory setting	6 and 3 l
Flush volume large, adjustment range	6 / 9 l
Flush volume small, adjustment range	3-4 l

7.1.2 High-level

Geberit exposed cistern AP123, single flush, with draw chain



Application purposes

- For high-level installation
- For mechanical remote flush actuation

Characteristics

- Low-noise
- Single flush
- Insulated against condensation
- Flush pipe connection with compression joint
- Cistern lid without actuator button
- Water supply connection, left/right

Technical data

Flush volume, factory setting	9 l
Flush volume, adjustment range	6 / 9 l

Scope of delivery

- Draw chain
- Damming device
- Fastening material

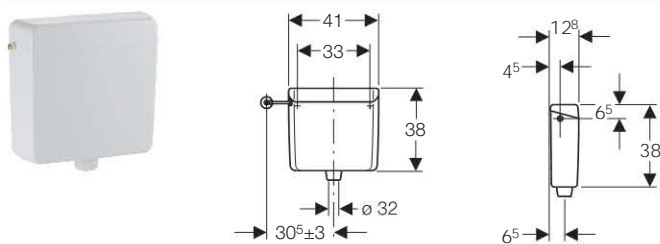
Art. no. Colour / Surface

123.700.11.1 white alpine



- For flush pipes for exposed installation see art. no. 119.503.11.1 and 118.026.xx.1
- For flush pipes for concealed installation see art. no. 119.610.11.1, 119.611.16.1 and 242.018.00.1

Geberit exposed cistern AP123, single flush, for remote flush actuation



Application purposes

- For high-level installation
- For flush actuations with pneumatic remote flush actuation
- For flush actuations with electric remote flush actuation

Characteristics

- Low-noise
- Single flush
- Can be refitted for dual flush in connection with a pneumatic flush actuation
- Can be refitted for electronic flush actuation
- Insulated against condensation
- Flush pipe connection with compression joint
- Cistern lid without actuator button
- Water supply connection, left/right

Technical data

Flush volume, factory setting	9 l
Flush volume, adjustment range	6 / 9 l

Scope of delivery

- Damming device
- Fastening material

Art. no. Colour / Surface

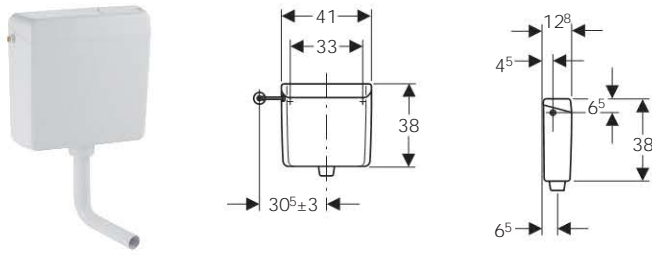
123.701.11.1 white alpine

To order additionally

- Pneumatic actuator
- Pneumatic flushing device

7.1.3 Low and half-high level

Geberit exposed cistern AP123, stop-and-go flush



Application purposes

- For low level installation

Characteristics

- Low-noise
- Stop-and-go flush
- Insulated against condensation
- Flush pipe connection, pluggable
- Water supply connection, left/right
- Can be retrofitted for water supply connection on rear centre

Technical data

Flush volume, factory setting	6 l
Flush volume, adjustment range	6 / 9 l

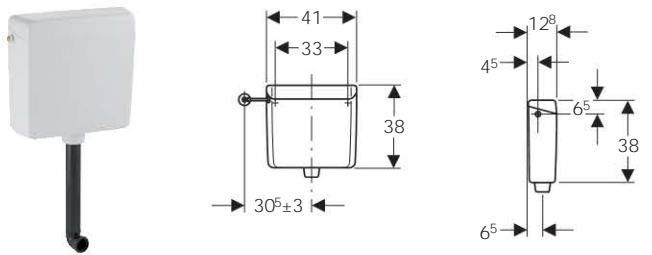
Scope of delivery

- Flush bend 90° made of ABS, ø 50 / 44 mm, 23 x 23 cm
- Fastening material

Art. no. Colour / Surface

123.105.11.1 white alpine

Geberit exposed cistern AP123, stop-and-go flush, for remote flush actuation



Application purposes

- For low level installation
- For bathroom furniture or for installation behind the wall
- For thin walls of max. 70 mm thickness in combination with floor-standing WCs
- For flush actuations with pneumatic remote flush actuation

Characteristics

- Low-noise
- Single flush
- Can be retrofitted for dual flush
- Insulated against condensation
- Cistern lid without actuator button
- Flush pipe connection, pluggable
- Water supply connection, left/right

Technical data

Flush volume, factory setting	6 l
Flush volume, adjustment range	6 / 9 l

Scope of delivery

- Flush bend 90° made of PE-HD, ø 50 / 44 mm, 38 x 5.2 cm
- Fastening material

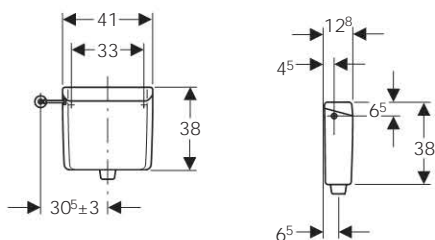
Art. no. Colour / Surface

123.136.11.1 white alpine

To order additionally

- Flush bend extension, ø 45 mm
- Pneumatic actuator
- Pneumatic flushing device

Geberit exposed cistern AP123, stop-and-go flush, for remote flush actuation



Application purposes

- For low level installation
- For bathroom furniture or for installation behind the wall
- For thin walls of max. 70 mm thickness in combination with floor-standing WCs
- For flush actuations with pneumatic remote flush actuation

Characteristics

- Low-noise
- Single flush
- Can be retrofitted for dual flush
- Insulated against condensation
- Cistern lid without actuator button
- Flush pipe connection, pluggable
- Water supply connection, left/right

Technical data

Flush volume, factory setting	9 l
Flush volume, adjustment range	6 / 9 l

Scope of delivery

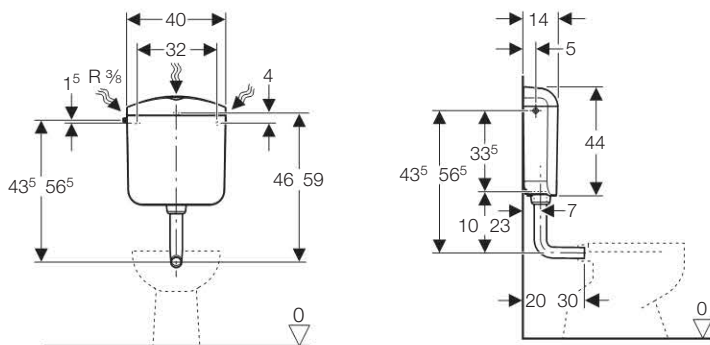
- Fastening material

Art. no.	Colour / Surface
123.135.11.1	white alpine

To order additionally

- Pneumatic actuator
- Pneumatic flushing device
- Flush bend 90° made of PE-HD, ø 50 / 44 mm, 38 x 5.2 cm

Geberit exposed cistern AP117, dual flush, water supply connection, left/right or rear centre



Characteristics

- Dual flush
- Low-noise
- Insulated against condensation
- Low-level
- Water supply connection, left/right or rear centre

Scope of delivery

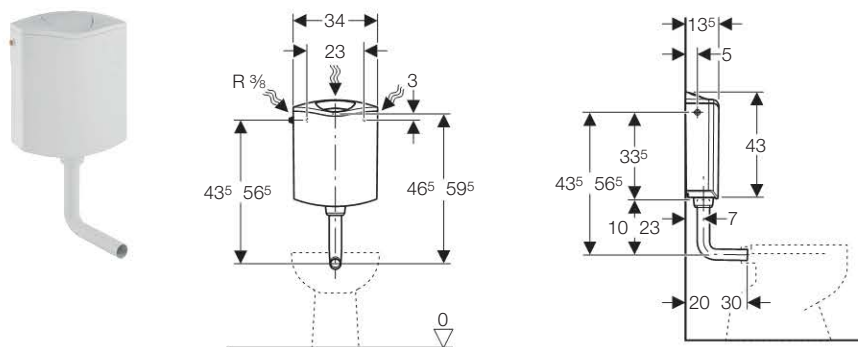
- Reinforced braided hose, 3/8"
- Flush bend 90° made of ABS, ø 50 / 44 mm, 23 x 23 cm
- Fastening material

Art. no.	Colour / Surface
136.530.11.1	white alpine

Technical data

Flow pressure	0.5-10 bar
Flush volume, factory setting	6 and 3 l
Flush volume large, adjustment range	6 / 9 l
Flush volume small, adjustment range	3-4 l

Geberit exposed cistern AP116, dual flush, with insert for in-cistern block



Characteristics

- Dual flush
- Low-noise
- Hinged flush plate for insertion of in-cistern blocks
- Insulated against condensation
- Low-level
- Water supply connection, left/right or rear centre

Scope of delivery

- Reinforced braided hose, 3/8"
- Receptacle for in-cistern block
- Flush bend 90° made of ABS, \varnothing 50 / 44 mm, 23 x 23 cm
- Sleeve made of EPDM, \varnothing 44 / 55 mm
- Fastening material

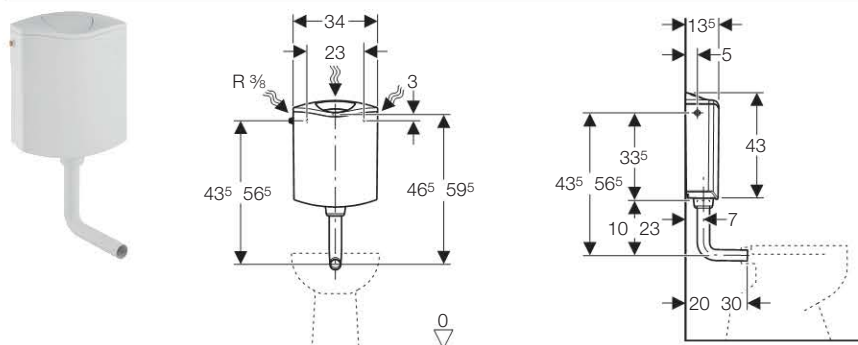
Technical data

Flow pressure	0.5-10 bar
Flush volume, factory setting	6 and 3 l
Flush volume large, adjustment range	6-7.5 l
Flush volume small, adjustment range	3-4.5 l
Material	ABS

Art. no. Colour / Surface

136.444.11.1 white alpine

Geberit exposed cistern AP116, dual flush



Characteristics

- Insulated against condensation
- Water supply connection, left/right or rear centre

Scope of delivery

- Reinforced braided hose, 3/8"
- Copper pipe, bent
- Flush bend 90° made of ABS, \varnothing 50 / 44 mm, 23 x 23 cm
- Sleeve made of EPDM, \varnothing 44 / 55 mm
- Fastening material

Technical data

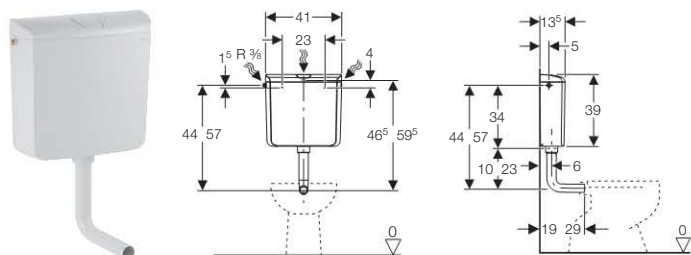
Flow pressure	0.5-10 bar
Flush volume, factory setting	6 and 3 l
Flush volume large, adjustment range	6-7.5 l
Flush volume small, adjustment range	3-4.5 l
Material	ABS

Art. no. Colour / Surface

136.430.11.1 white alpine

New

Geberit exposed cistern AP110, stop-and-go flush



Characteristics

- Low-noise
- Stop-and-go flush
- Insulated against condensation
- Low-level
- Water supply connection, left/right or rear centre

Technical data

Flow pressure	0.5-10 bar
Flush volume, factory setting	9 l
Flush volume, adjustment range	6 / 9 l

Scope of delivery

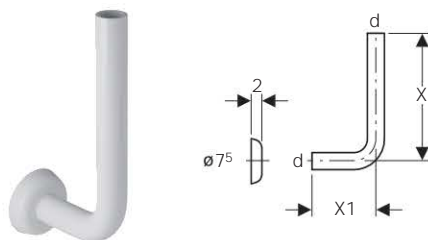
- Flush bend 90° made of ABS, ø 50 / 44 mm, 23 x 23 cm
- Fastening material

Art. no.	Colour / Surface
136.613.11.1	white alpine

Available as of March 2016

7.2 Flush pipes for exposed cisterns

Geberit flush bend extension 90°, 24 x 12 cm, with collar



Application purposes

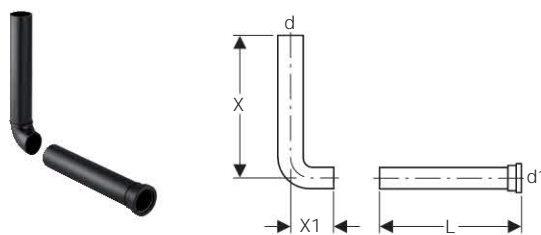
- For connecting high-level Geberit exposed cisterns with a concealed flush bend

Technical data

Material	PVC
----------	-----

Art. no.	Colour / Surface	d, ø [mm]	X [cm]	X1 [cm]
119.610.11.1	white alpine	32	24	12

Geberit flush bend 90°, 28 cm, for thick walls



Application purposes

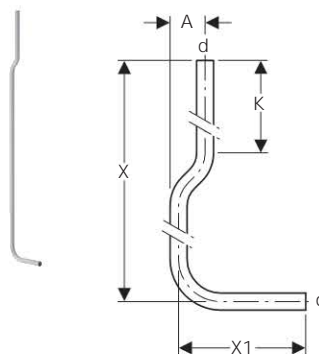
- For connecting WCs to exposed cisterns mounted behind the wall

Technical data

Material	PE-HD
----------	-------

Art. no.	d, ø [mm]	d1, ø [mm]	L [cm]	X [cm]	X1 [cm]
118.200.16.1	50	45	28	28	4

Geberit flush bend 90° set, 156 x 24 cm, offset



Application purposes

- For connecting high-level Geberit exposed cisterns with a WC ceramic appliance

Technical data

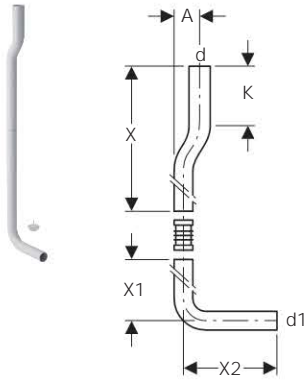
Material	PVC
----------	-----

Scope of delivery

- 2 pipe straps
- Fastening material

Art. no.	Colour / Surface	d, ø [mm]	A [cm]	X [cm]	X1 [cm]	K [cm]
119.504.11.1	white alpine	32	6.5	156	24	27

Geberit flush bend set 90°, offset, with damming device and pipe strap



Application purposes

- For connecting half-high level Geberit exposed cisterns with a WC ceramic appliance

Technical data

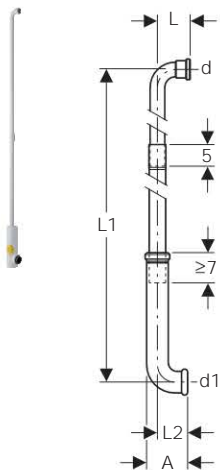
Material	PVC
----------	-----

Scope of delivery

- Pipe strap
- Compensation pad
- Damming device

Art. no.	Colour / Surface	d, ø [mm]	d1, ø [mm]	A [cm]	X [cm]	X1 [cm]	X2 [cm]	K [cm]
118.100.11.1	white alpine	50	44	6	53	50	22	14

Geberit flush bend set 90°, telescopic, with recess shells and protection plug



Application purposes

- For concealed connection of high-level exposed cisterns with a WC ceramic appliance

Characteristics

- Three-piece
- Can be pulled out

Technical data

Material	PE-HD
----------	-------

Scope of delivery

- Flush bend with ring seal socket
- Adhesive

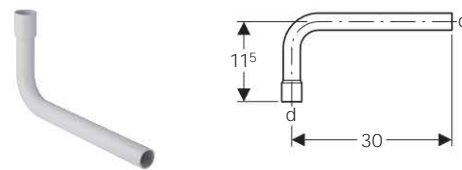
- Recess shells
- 2 protection plugs

Art. no.	d, ø [mm]	d1, ø [mm]	A [cm]	L [cm]	L1 [cm]	L2 [cm]
119.611.16.1	32	45	9.5	7.5	173	7



- This product is supplied with the Tangit PVC-U special adhesive. This consumable contains classified hazardous substances. Information, instructions and measures for handling hazardous substances safely can be found in the appendix or at www.international.geberit.com.

Geberit flush bend extension 90° with ring seal socket



Application purposes

- For extending flush bends on high-level Geberit exposed cisterns

Technical data

Material	PVC
----------	-----

Scope of delivery

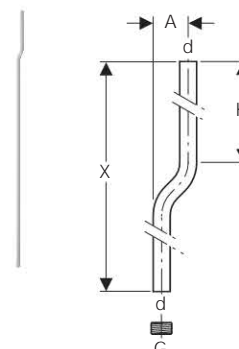
- Adhesive

Art. no.	Colour / Surface	d, ø [mm]
119.060.11.1	white alpine	32



- This product is supplied with the Tangit PVC-U special adhesive. This consumable contains classified hazardous substances. Information, instructions and measures for handling hazardous substances safely can be found in the appendix or at www.international.geberit.com.

Geberit flush bend extension, offset



Application purposes

- For connecting high-level Geberit exposed cisterns with a squat WC

Low and half-high level

Technical data

Material	PVC
----------	-----

Scope of delivery

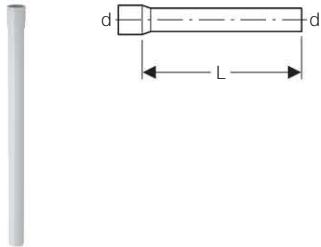
- 2 pipe straps
- Adhesive
- Threaded connector

Art. no.	Colour / Surface	d, \emptyset [mm]	G ["]	A [cm]	X [cm]	K [cm]
119.503.11.1	white alpine	32	1 1/4	6.5	200	27



- This product is supplied with the Tangit PVC-U special adhesive. This consumable contains classified hazardous substances. Information, instructions and measures for handling hazardous substances safely can be found in the appendix or at www.international.geberit.com.

Geberit flush bend extension, straight, with ring seal socket



Application purposes

- For extending flush bends on high-level Geberit exposed cisterns

Technical data

Material	PVC
----------	-----

Scope of delivery

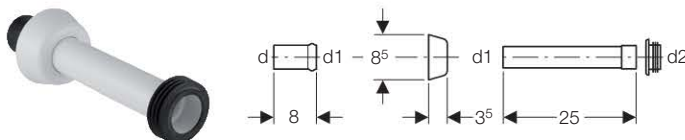
- Adhesive

Art. no.	Colour / Surface	d, \emptyset [mm]	L [cm]
119.063.11.1	white alpine	32	46.5



- This product is supplied with the Tangit PVC-U special adhesive. This consumable contains classified hazardous substances. Information, instructions and measures for handling hazardous substances safely can be found in the appendix or at www.international.geberit.com.

Geberit flush bend extension set with collar



Application purposes

- For connecting flush bends and WCs

Scope of delivery

- Ring seal socket
- Collar
- Flush pipe
- Sleeve made of EPDM, \emptyset 44 / 55 mm

Art. no.	Colour / Surface	d, \emptyset [mm]	d1, \emptyset [mm]	d2, \emptyset [mm]
118.026.11.1	white alpine	44	40	55
118.026.21.1	bright chrome-plated	44	40	55

Geberit flush bend extension with sleeve



Application purposes

- For connecting to \emptyset 55 mm

Scope of delivery

- Sleeve made of EPDM

Art. no.	d, \emptyset [mm]	Material designation	L [cm]	l [cm]
152.434.16.1	45	PE	18.5	16

Geberit sleeve



Application purposes

- For high-level exposed cisterns
- For sealing between flush pipes and WC ceramic appliances

Art. no.	d, \emptyset [mm]	D [cm]	L [cm]
242.018.00.1	32	5.5	2.5

Geberit flushing water manifold



Application purposes

- For adhering to Geberit flush pipes \emptyset 32 mm

Art. no.	Colour / Surface
119.696.11.1	white alpine

7.3 Accessories

7.3.1 Connections

Geberit water supply connection, rear centre



Scope of delivery

- Cone screw fitting
- Copper pipe, bent

Art. no.	d, \emptyset [mm]	G ["]
240.017.00.1	10	3/8

Geberit wall collar, large



Art. no.	Colour / Surface	d, \emptyset [mm]	Material designation	D [cm]	H [cm]
241.507.11.1	white alpine	32	Plastic	8.5	3.7
241.507.21.1	bright chrome-plated	32	Plastic	8.5	3.7
241.508.11.1	white alpine	40	Plastic	8.5	3.7
241.508.21.1	bright chrome-plated	40	Plastic	8.5	3.7
854.909.11.1	white alpine	50	PP	8.5	3.5
894.094.11.1	white alpine	50	PP	9	7

7.3.2 Angle valves

Angle stop valve for Geberit exposed cistern AP117



Art. no.

238.192.00.2

7.3.3 Sleeves

Geberit sleeve for flush pipe connection



Application purposes

- For high-level exposed cisterns
- For sealing between flush pipes and WC ceramic appliances

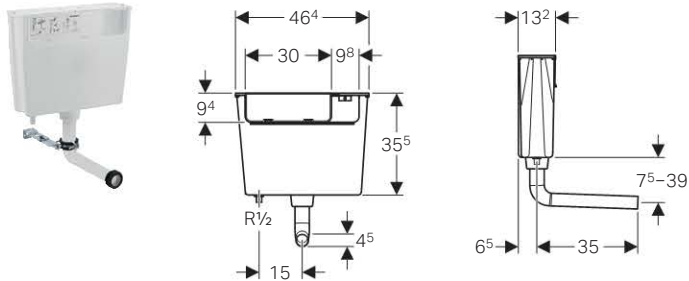
Technical data

Material		EPDM		
Art. no.	d, \emptyset [mm]	D [cm]	L [cm]	
119.668.00.1	42	6	2.5	
119.675.00.1	42	7.5	3.3	

7.4 Geberit Cisterns for Low-Height Furniture

7.4.1 With pneumatic flush actuation

Geberit low-height furniture cistern, 6 litres, pneumatic flush actuation



Application purposes

- For installation in bathroom furniture
- For floor-standing WCs
- For single flush

Characteristics

- Flush actuation pneumatic
- Water supply connection, bottom left

Technical data

Flow pressure	0.1-10 bar
Flush volume, factory setting	5.8 l

Scope of delivery

- Pneumatic actuator
- Flush bend 90°
- Fastening for flush bend
- Fastening material

Art. no.

109.721.00.1
