

# 8. Geberit Fill Valves and Flush Valve Systems

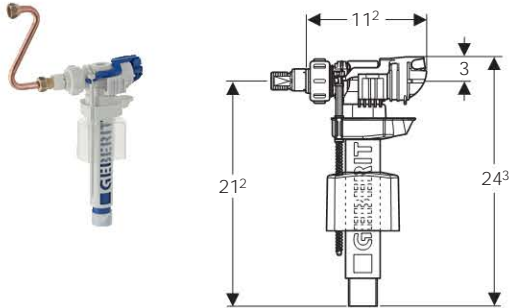
|            |  |            |
|------------|--|------------|
| <b>8.1</b> | <b>Fill valves</b> .....                         | <b>140</b> |
| 8.1.1      | Fill valves for concealed cisterns .....         | 140        |
| 8.1.2      | Fill valves for ceramic cisterns.....            | 140        |
| 8.1.3      | Fill valves for flushing cisterns Universal..... | 142        |
| <b>8.2</b> | <b>Flush valves</b> .....                        | <b>142</b> |
| 8.2.1      | Dual flush .....                                 | 142        |
| <b>8.3</b> | <b>Mechanisms</b> .....                          | <b>143</b> |
| 8.3.1      | Dual flush .....                                 | 143        |



## 8.1 Fill valves

### 8.1.1 Fill valves for concealed cisterns

#### Geberit fill valve type 380, water supply connection, left/right, 3/8", nipple made of brass



##### Application purposes

- For Geberit concealed cisterns
- For grey water (rainwater), if a filter system is used
- For potable water

##### Characteristics

- Adjustable filling height
- Threaded nipple made of brass, G 3/8
- Water supply connection, left/right
- Low-noise in accordance with tap group I (DIN 4109)

##### Technical data

|               |            |
|---------------|------------|
| Flow pressure | 0.1-10 bar |
|---------------|------------|

##### Scope of delivery

- Adapter for nipple, for fill valve type 350
- Cone screw fitting
- Connection pipe made of copper

Art. no.

240.705.00.1

### 8.1.2 Fill valves for ceramic cisterns

#### Geberit fill valve type 380, water supply connection, left/right, 3/8" and 1/2", nipple made of brass



##### Application purposes

- For installation in exposed cisterns with water supply connection, left/right
- For grey water (rainwater), if a filter system is used
- For ceramic cisterns
- For potable water
- For water supply connections 1/2"
- For water supply connections 3/8"

##### Characteristics

- Adjustable filling height
- Threaded nipple made of brass, G 3/8
- Water supply connection, left/right
- Low-noise in accordance with tap group I (DIN 4109)

##### Technical data

|               |            |
|---------------|------------|
| Flow pressure | 0.1-10 bar |
|---------------|------------|

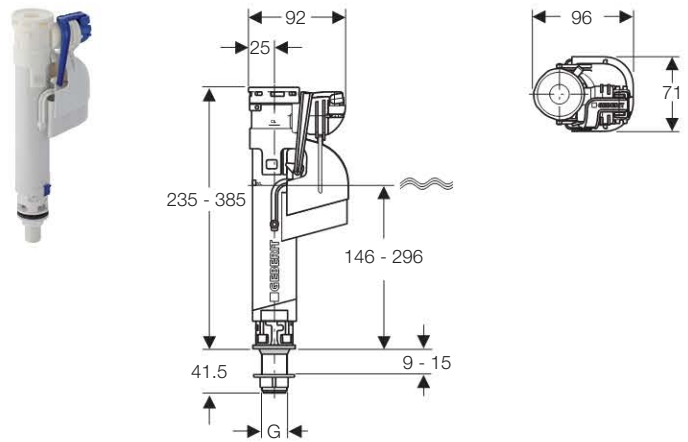
##### Scope of delivery

- Spacer ring set
- Nipple made of brass, R 3/8 and R 1/2

Art. no.

281.004.00.1

#### Geberit fill valve type 360, water supply connection, bottom, 1/2", nipple made of plastic



##### Application purposes

- For Geberit exposed cisterns with water supply connection, bottom
- For grey water (rainwater), if a filter system is used
- For ceramic cisterns
- For potable water
- For water supply connections 1/2"

##### Characteristics

- Adjustable filling height
- Threaded nipple made of brass, G 1/2
- Height-adjustable
- Water supply connection, bottom

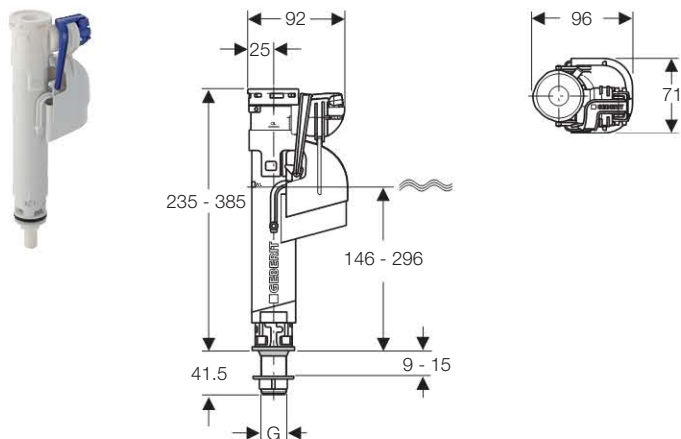
##### Technical data

|               |            |
|---------------|------------|
| Flow pressure | 0.1-10 bar |
|---------------|------------|

Art. no.

281.208.00.1

### Geberit fill valve type 360, water supply connection, bottom, 3/8", nipple made of plastic



#### Application purposes

- For Geberit exposed cisterns with water supply connection, bottom
- For grey water (rainwater), if a filter system is used
- For ceramic cisterns
- For potable water
- For water supply connections 3/8"

#### Characteristics

- Adjustable filling height
- Threaded nipple made of brass, G 3/8
- Height-adjustable
- Water supply connection, bottom

#### Technical data

|               |            |
|---------------|------------|
| Flow pressure | 0.1-10 bar |
|---------------|------------|

|              |          |
|--------------|----------|
| Art. no.     | G<br>["] |
| 281.207.00.1 | 3/8      |

#### Characteristics

- Adjustable filling height
- Water supply connection, bottom
- Threaded nipple made of plastic

#### Technical data

|               |            |
|---------------|------------|
| Flow pressure | 0.1-10 bar |
|---------------|------------|

|          |              |
|----------|--------------|
| Art. no. | 136.726.00.1 |
|----------|--------------|

### Geberit fill valve type 340, water supply connection, bottom, 3/8", nipple made of plastic



#### Application purposes

- For Geberit exposed cisterns with water supply connection, bottom
- For grey water (rainwater), if a filter system is used
- For ceramic cisterns
- For potable water
- For water supply connections 3/8"

#### Characteristics

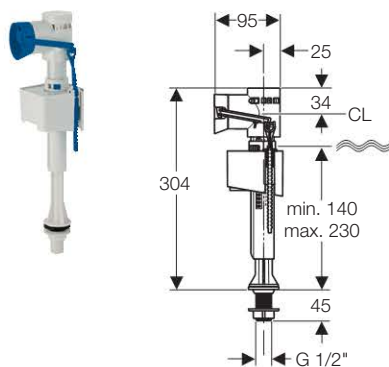
- Adjustable filling height
- Water supply connection, bottom
- Threaded nipple made of plastic

#### Technical data

|               |            |
|---------------|------------|
| Flow pressure | 0.1-10 bar |
|---------------|------------|

|          |              |
|----------|--------------|
| Art. no. | 136.725.00.1 |
|----------|--------------|

### Geberit fill valve type 340, water supply connection, bottom, 1/2", nipple made of plastic



#### Application purposes

- For Geberit exposed cisterns with water supply connection, bottom
- For grey water (rainwater), if a filter system is used
- For ceramic cisterns
- For potable water
- For water supply connections 1/2"

## 8.1.3 Fill valves for flushing cisterns Universal

### Geberit fill valve type 330, water supply connection, left/right, 3/8", nipple made of brass



#### Application purposes

- For installation in exposed cisterns with water supply connection, left/right
- For ceramic cisterns
- For potable water
- For water supply connections 3/8"

#### Characteristics

- Adjustable filling height
- Threaded nipple made of brass, G 3/8
- Water supply connection, left/right

#### Technical data

|               |              |
|---------------|--------------|
| Flow pressure | 0.5-10 bar   |
| Art. no.      | 136.723.00.1 |

### Geberit fill valve type 330, water supply connection, left/right, 3/8" and 1/2", nipple made of brass



#### Application purposes

- For installation in exposed cisterns with water supply connection, left/right
- For ceramic cisterns
- For potable water
- For water supply connections 1/2"
- For water supply connections 3/8"

#### Characteristics

- Adjustable filling height
- Threaded nipple made of brass, G 3/8
- Water supply connection, left/right

#### Technical data

|               |            |
|---------------|------------|
| Flow pressure | 0.5-10 bar |
|---------------|------------|

#### Scope of delivery

- Adapter made of brass, R 3/8-R 1/2

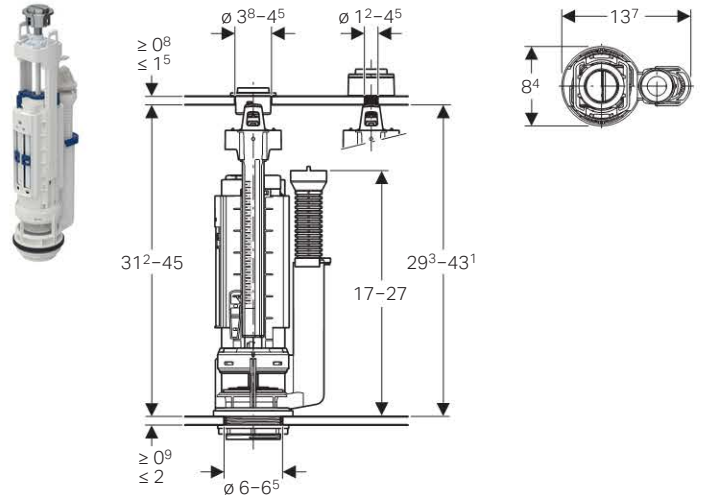
Art. no.

136.724.00.1

## 8.2 Flush valves

### 8.2.1 Dual flush

#### Geberit flush valve type 290, dual flush



#### Application purposes

- For ceramic cisterns
- For potable water
- For grey water (rainwater), if a filter system is used

#### Characteristics

- Dual flush
- Height-adjustable
- Small and large flush volume can be set depending on the amount of water in the cistern
- Overflow pipe height-adjustable
- With lid attachment

#### Technical data

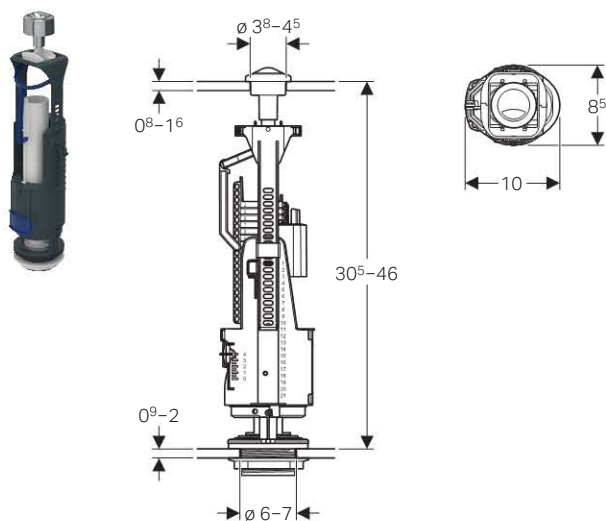
|                 |      |
|-----------------|------|
| Actuation force | 18 N |
|-----------------|------|

#### Scope of delivery

- Fastening material

Art. no. Colour / Surface

282.303.21.2 bright chrome-plated

**Geberit flush valve type 240, dual flush****Application purposes**

- For ceramic cisterns
- For potable water
- For grey water (rainwater), if a filter system is used

**Characteristics**

- Dual flush
- Height-adjustable
- Small and large flush volume can be set depending on the amount of water in the cistern
- Overflow pipe can be shortened
- With lid attachment

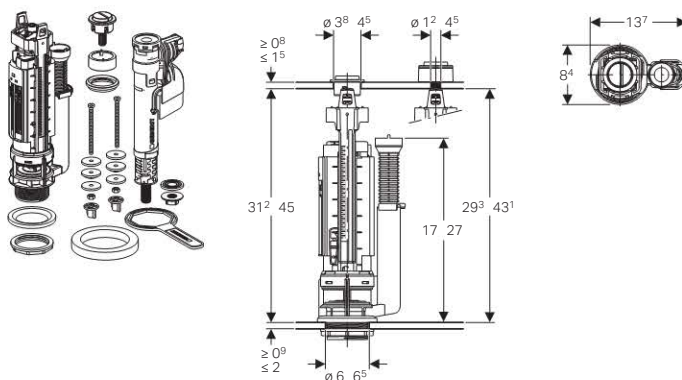
**Technical data**

|                                      |         |
|--------------------------------------|---------|
| Flush volume large, adjustment range | 6-9 l   |
| Flush volume small, adjustment range | 3-4.5 l |
| Actuation force                      | 18 N    |

**Scope of delivery**

- Fastening material

| Art. no.     | Colour / Surface     |
|--------------|----------------------|
| 136.909.21.2 | bright chrome-plated |

**8.3 Mechanisms****8.3.1 Dual flush****Geberit mechanism type 290-360, dual flush, water supply connection, bottom, 3/8", nipple made of brass****Application purposes**

- For grey water (rainwater), if a filter system is used
- For ceramic cisterns
- For potable water
- For water supply connections 3/8"

**Characteristics**

- Dual flush
- Adjustable filling height
- Threaded nipple made of brass, G 3/8
- Height-adjustable
- Small and large flush volume can be set depending on the amount of water in the cistern
- Overflow pipe height-adjustable
- Water supply connection, bottom
- With lid attachment

**Technical data**

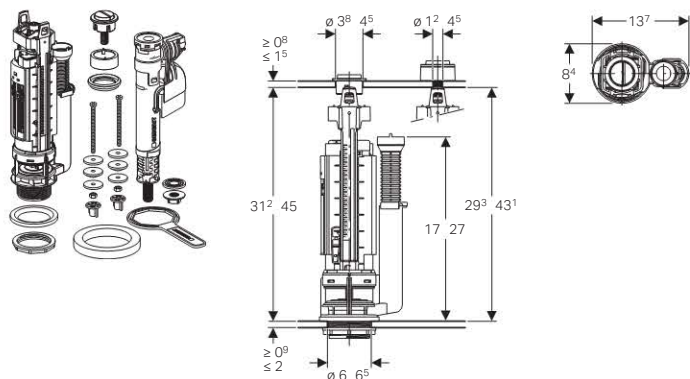
|                 |            |
|-----------------|------------|
| Flow pressure   | 0.1-10 bar |
| Actuation force | 18 N       |

**Scope of delivery**

- Fastening material

| Art. no.     | Colour / Surface     |
|--------------|----------------------|
| 283.311.21.2 | bright chrome-plated |

**Geberit mechanism type 290-360, dual flush, water supply connection, bottom, 3/8", nipple made of plastic**



**Application purposes**

- For grey water (rainwater), if a filter system is used
- For ceramic cisterns
- For potable water
- For water supply connections 3/8"

**Characteristics**

- Dual flush
- Adjustable filling height
- Threaded nipple made of plastic
- Height-adjustable
- Small and large flush volume can be set depending on the amount of water in the cistern
- Overflow pipe height-adjustable
- Water supply connection, bottom
- With lid attachment

**Technical data**

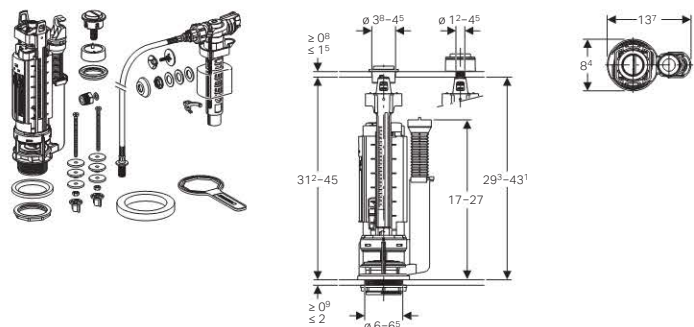
|                 |            |
|-----------------|------------|
| Flow pressure   | 0.1-10 bar |
| Actuation force | 18 N       |

**Scope of delivery**

- Fastening material

| Art. no.     | Colour / Surface     |
|--------------|----------------------|
| 273.645.21.2 | bright chrome-plated |

**Geberit mechanism type 290-380, dual flush, universal water supply connection, 3/8" and 1/2", nipple made of brass**



**Application purposes**

- For grey water (rainwater), if a filter system is used
- For ceramic cisterns
- For potable water
- For water supply connections 1/2"
- For water supply connections 3/8"

**Characteristics**

- Dual flush
- Adjustable filling height
- Threaded nipple made of brass, G 3/8
- Height-adjustable
- Small and large flush volume can be set depending on the amount of water in the cistern
- Overflow pipe height-adjustable
- Water supply connection, left/right
- Water supply connection, bottom
- With lid attachment

**Technical data**

|                 |            |
|-----------------|------------|
| Flow pressure   | 0.1-10 bar |
| Actuation force | 18 N       |

**Scope of delivery**

- Fastening material

| Art. no.     | Colour / Surface     |
|--------------|----------------------|
| 283.313.21.2 | bright chrome-plated |

